

PRODUCT TECHNICAL SHEET

Collection : **BUTLER**

Ref. : **1950.11.48-XX**

Robinet lave-mains mural à encastrer, 2 trous, bec 235mm

Inbouw fonteinkraan voor wandmontage, uitloop 235mm

Concealed wall-mounted washbasin tap, 2-hole, spout 235mm

Picture

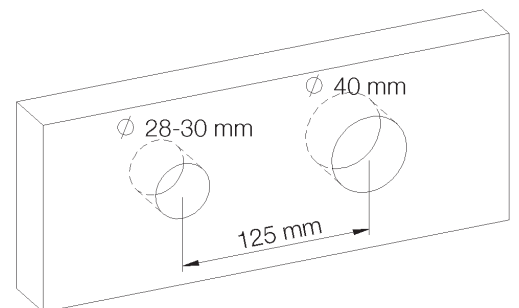
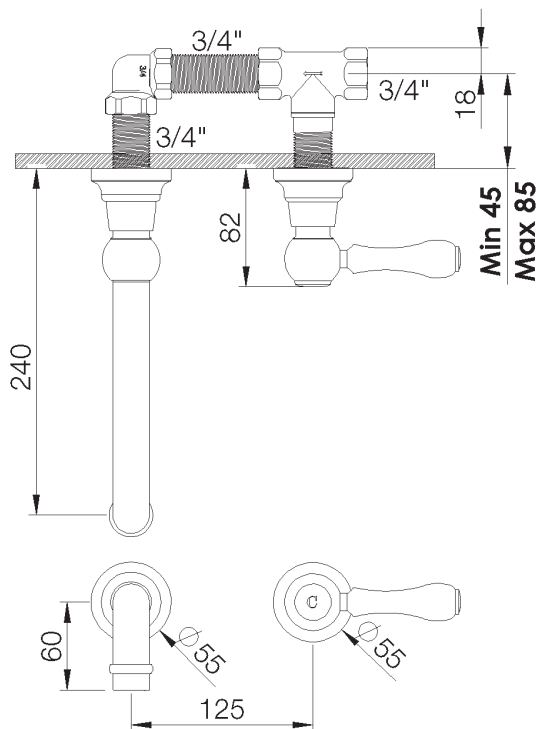
Product details



Flow at 3 bar : Restricted 7,5 l/min

Internal mechanism : Ceramic valve 1/4 turn

Technical drawing



RA0.V01